

LED Wall Sconce

WS16130
INSTALLATION SHEET

START FROM HERE

- Make sure power is completely off at the fuse box.
- Have your fixture installed by a qualified licensed electrician
- Prepare everything in a clear area.
- Wear gloves at all times during this installation.
- Read instructions carefully before you start assembly.
- Keep this instruction sheet for future reference.

Technical Support: 1-855-855-8926

Please Note:

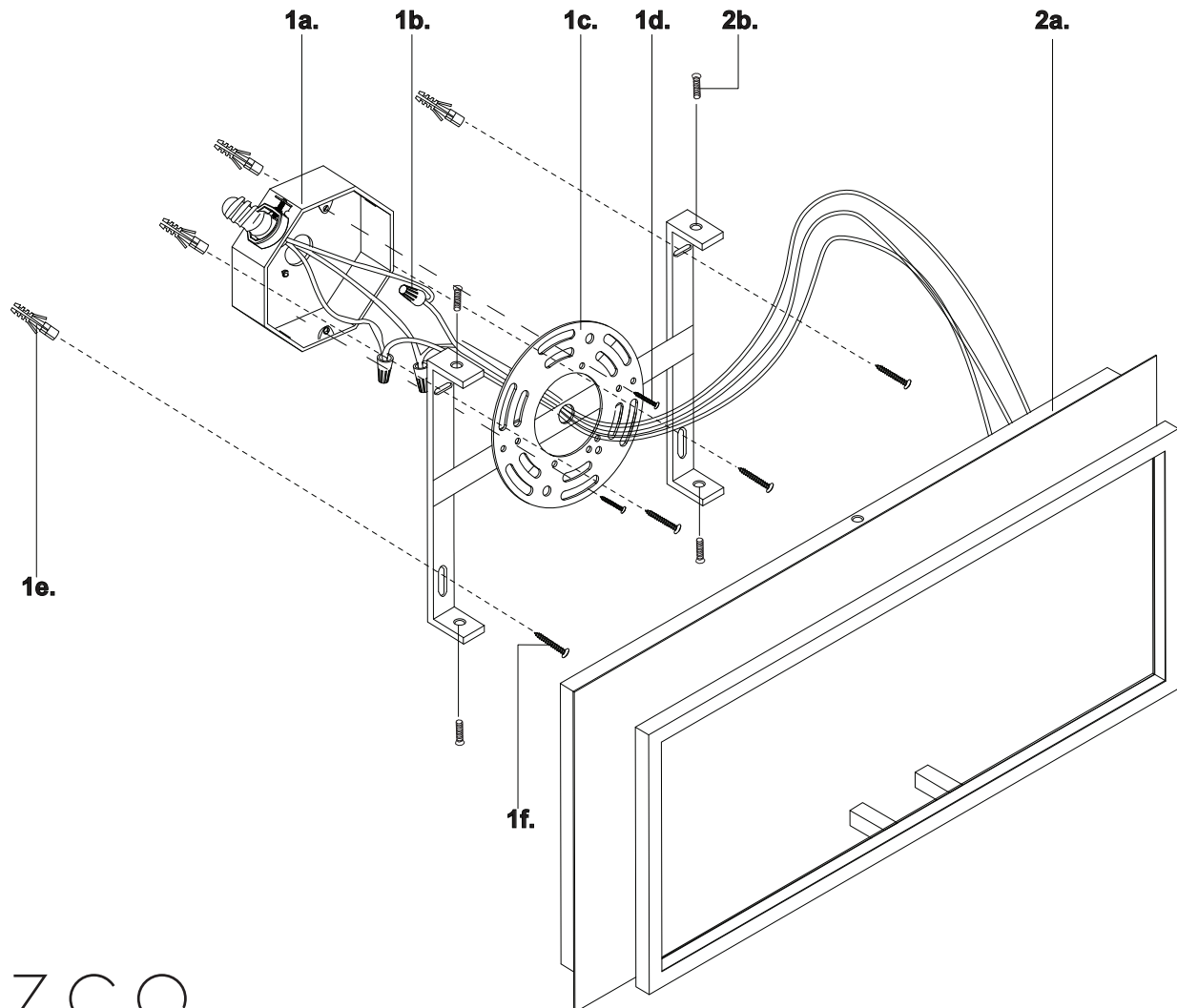
- All Kuzco LED fixtures come with pre-wired LED module(s).
- Unless instructed to do so, please do not touch any part of the LED module(s) as any unnecessary contact with the module could cause permanent damage.
- For dimming, an ELV (Electronic Low Voltage) type of dimmer is required.

CAUTION: THE JUNCTION BOX NEEDS TO BE REINFORCED BEFORE INSTALLATION.

1. Remove the fixture from its original packaging. Next, remove the mounting plate (**1c**) from within the canopy (**2a**) by un-threading the four screws (**2b**). Attach the mounting plate (**1c**) to the electrical junction box (**1a**) by using the two screws (**1d**) provided in the hardware package. For additional support, add wood screws (**1f**) to plastic anchors (**1e**) in the wall.

2. You are now ready to mount the canopy. First connect all wires correctly black to black "L", white to white "N" and the ground wire with provided marrets (**1b**) from the hardware package. Align the canopy (**2a**) to the mounting plate (**1c**) up against the wall. Secure the canopy by using the four screws (**2b**) (top and bottom).

3. You have now completed the installation of your fixture, enjoy.



KUZCO

19054 28th Avenue Surrey, BC Canada V3Z 6M3
T: 604 538 7162 TF: 1-855 85 KUZCO F: 604 538 7196
W: kuzcolighting.com
20190510